



Process Advanced Filtration Division
 2340 Eastman Avenue
 Oxnard, CA 93030
 Phone (805) 604-3400
 Fax (805) 604-3401

EP5640-BS01-H5 UF Membrane

Description

PVDF Spiral membrane
 FRP outer wrap
 One end seal - ATDs both ends

Dimensions

Diameter **(A)** 5.45" (138 mm)
 Overall Body Length **(B)** 40.0" (1016 mm)
 Permeate Tube ID 1.285" (32.6 mm)
 Membrane Area 153 ft² (14.2 m²)
 Weight 25 lb (11.4 kg)

Recommended Operating Parameters

Feed 39 - 46 gpm (148-174 lpm)
 Inlet Pressure 40-65 psig (2.7-4.4 bar)
 Outlet Pressure 15-40 psig (1.0-2.7 bar)
 Delta Pressure 25 -35 psig (1.7-2.4 bar)
 Max Temperature 120°F (49°C)
 Max pH Range 2-11 operating
 2-12 cleaning

Permeate Flow on Fresh Lab Paint Baths

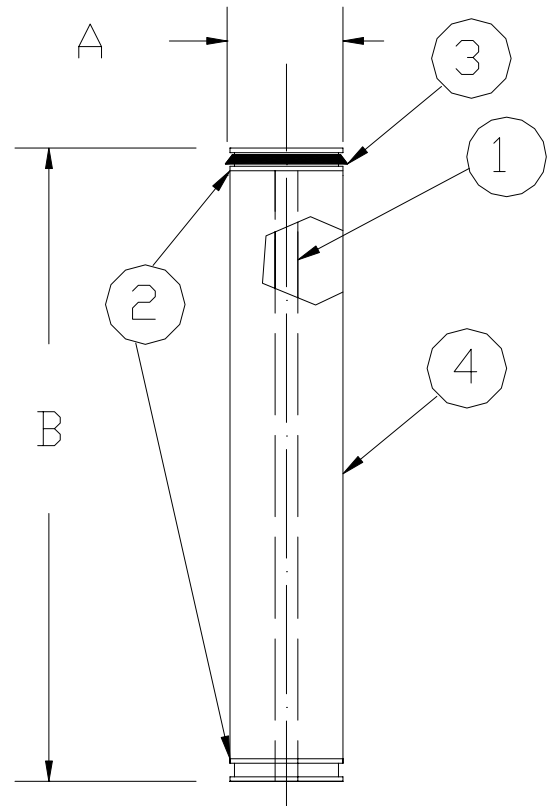
1.50 to 2.25 gpm (5.7 – 8.5 lpm)

Housing

UF60, 1VUF60, and 2VUF60 Series

Rev 07/10

Engineered for Electrocoat Applications



Item	Description
1	Permeate Tube
2	ATD/Seal Carriers
3	Brine Seal (P/N BS-56)
4	Element Body

